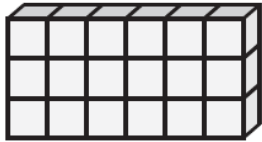


$$\square = 1 \text{ cm}^2$$

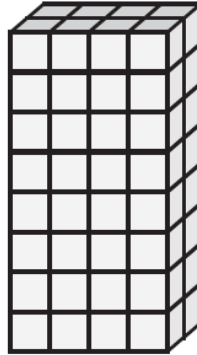
Find the surface area of each rectangular prism.

1)



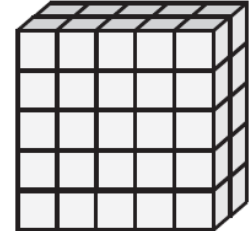
Surface Area = _____

2)



Surface Area = _____

3)



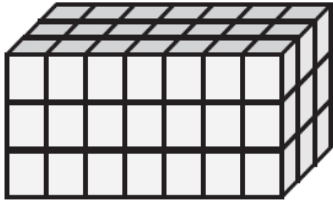
Surface Area = _____

Top: _____ cm
Bottom: _____ cm
Front: _____ cm
Back: _____ cm
Left: _____ cm
Right: _____ cm

Top: _____ cm
Bottom: _____ cm
Front: _____ cm
Back: _____ cm
Left: _____ cm
Right: _____ cm

Top: _____ cm
Bottom: _____ cm
Front: _____ cm
Back: _____ cm
Left: _____ cm
Right: _____ cm

4)



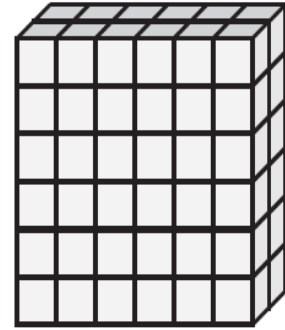
Surface Area = _____

5)



Surface Area = _____

6)



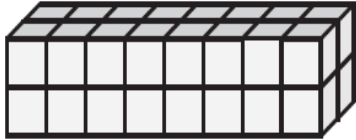
Surface Area = _____

Top: _____ cm
 Bottom: _____ cm
 Front: _____ cm
 Back: _____ cm
 Left: _____ cm
 Right: _____ cm

Top: _____ cm
 Bottom: _____ cm
 Front: _____ cm
 Back: _____ cm
 Left: _____ cm
 Right: _____ cm

Top: _____ cm
 Bottom: _____ cm
 Front: _____ cm
 Back: _____ cm
 Left: _____ cm
 Right: _____ cm

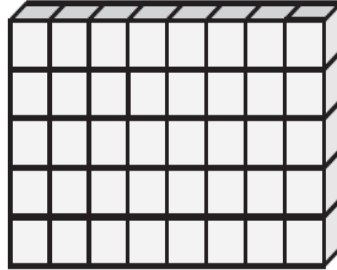
7)



Surface Area = _____

Top: _____ cm
 Bottom: _____ cm
 Front: _____ cm
 Back: _____ cm
 Left: _____ cm
 Right: _____ cm

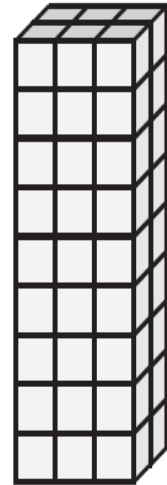
8)



Surface Area = _____

Top: _____ cm
 Bottom: _____ cm
 Front: _____ cm
 Back: _____ cm
 Left: _____ cm
 Right: _____ cm

9)

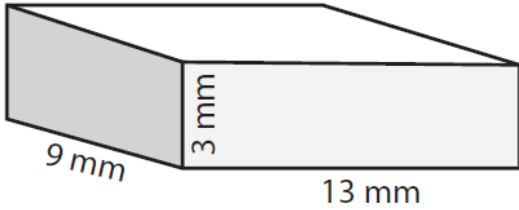


Surface Area = _____

Top: _____ cm
 Bottom: _____ cm
 Front: _____ cm
 Back: _____ cm
 Left: _____ cm
 Right: _____ cm

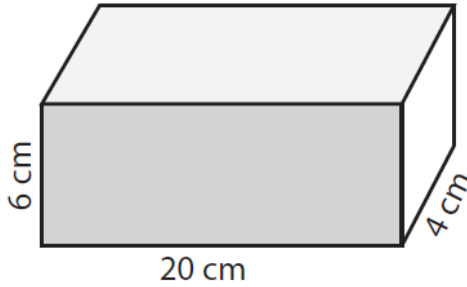
Find the surface area of each rectangular prism.

1)



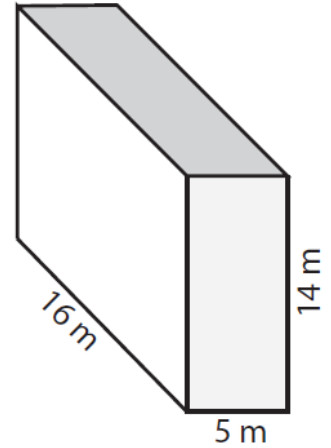
Surface Area = _____

2)



Surface Area = _____

3)



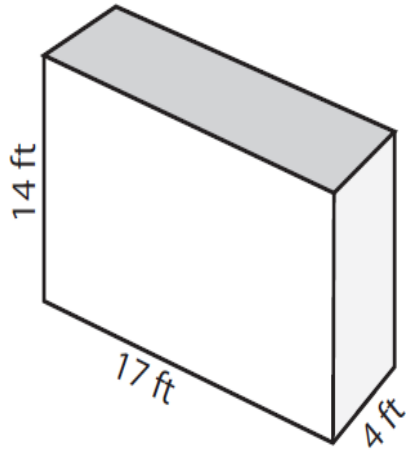
Surface Area = _____

Top: _____ cm
Bottom: _____ cm
Front: _____ cm
Back: _____ cm
Left: _____ cm
Right: _____ cm

Top: _____ cm
Bottom: _____ cm
Front: _____ cm
Back: _____ cm
Left: _____ cm
Right: _____ cm

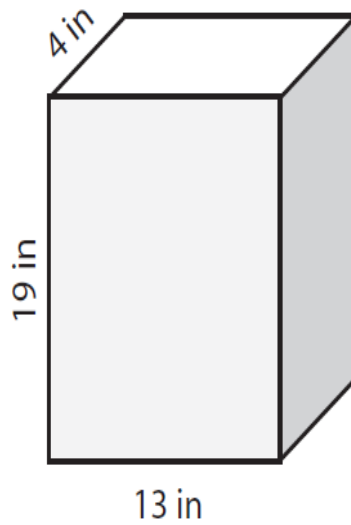
Top: _____ cm
Bottom: _____ cm
Front: _____ cm
Back: _____ cm
Left: _____ cm
Right: _____ cm

4)



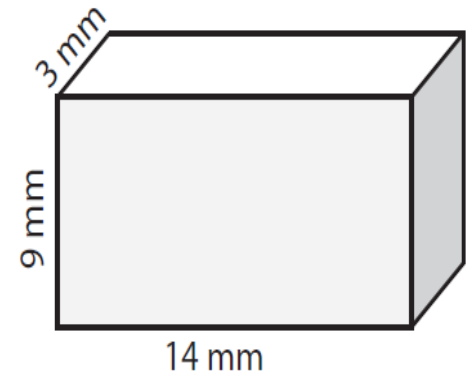
Surface Area = _____

5)



Surface Area = _____

6)



Surface Area = _____

Top: _____ cm
 Bottom: _____ cm
 Front: _____ cm
 Back: _____ cm
 Left: _____ cm
 Right: _____ cm

Top: _____ cm
 Bottom: _____ cm
 Front: _____ cm
 Back: _____ cm
 Left: _____ cm
 Right: _____ cm

Top: _____ cm
 Bottom: _____ cm
 Front: _____ cm
 Back: _____ cm
 Left: _____ cm
 Right: _____ cm