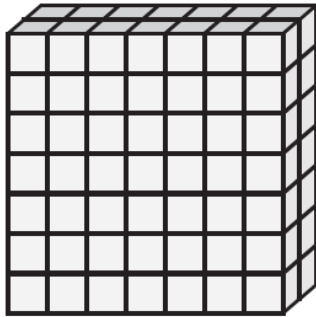


2/9/17 Surface Area

$$\square = 1 \text{ cm}^2$$

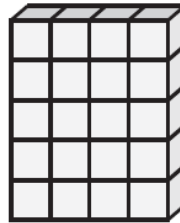
Find the surface area of each rectangular prism.

1)



Surface Area = _____ cm^2

2)



Surface Area = _____ cm^2

3)



Surface Area = _____ cm^2

Top: _____
Bottom: _____
Front: _____
Back: _____
Left: _____
Right: _____

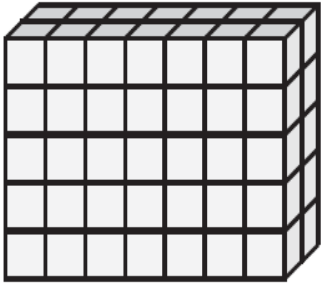
Top: _____
Bottom: _____
Front: _____
Back: _____
Left: _____
Right: _____

Top: _____
Bottom: _____
Front: _____
Back: _____
Left: _____
Right: _____

2/9/17 Surface Area

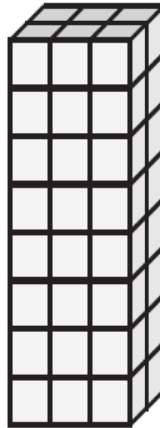
□ = 1 cm²

4)



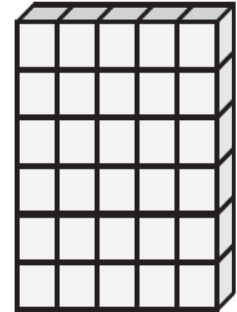
Surface Area = _____ cm²

5)



Surface Area = _____ cm²

6)



Surface Area = _____ cm²

Top: _____
Bottom: _____
Front: _____
Back: _____
Left: _____
Right: _____

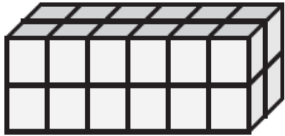
Top: _____
Bottom: _____
Front: _____
Back: _____
Left: _____
Right: _____

Top: _____
Bottom: _____
Front: _____
Back: _____
Left: _____
Right: _____

2/9/17 Surface Area

$\square = 1 \text{ cm}^2$

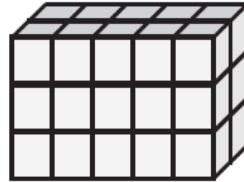
7)



Surface Area = _____ cm^2

Top: _____
Bottom: _____
Front: _____
Back: _____
Left: _____
Right: _____

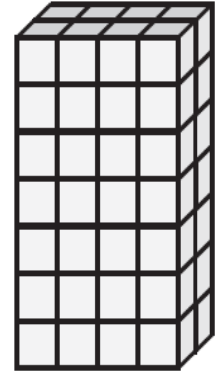
8)



Surface Area = _____ cm^2

Top: _____
Bottom: _____
Front: _____
Back: _____
Left: _____
Right: _____

9)



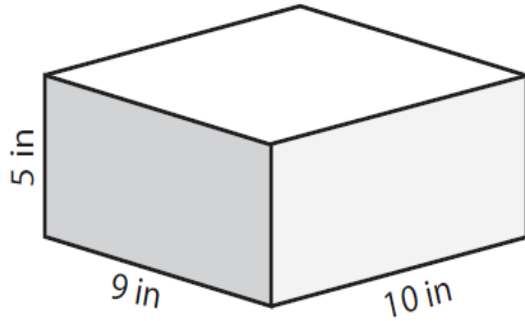
Surface Area = _____ cm^2

Top: _____
Bottom: _____
Front: _____
Back: _____
Left: _____
Right: _____

2/9/17 Surface Area

Find the surface area of each rectangular prism.

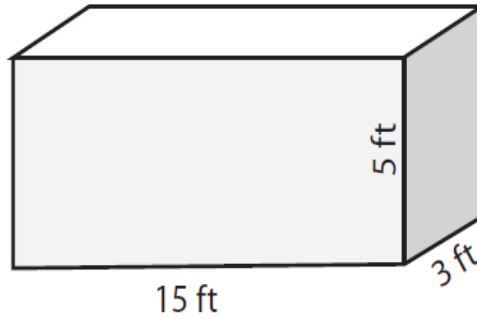
1)



Surface Area = _____ cm^2

Top: _____
Bottom: _____
Front: _____
Back: _____
Left: _____
Right: _____

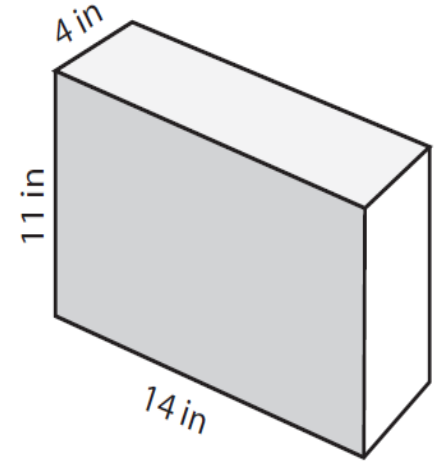
2)



Surface Area = _____ cm^2

Top: _____
Bottom: _____
Front: _____
Back: _____
Left: _____
Right: _____

3)

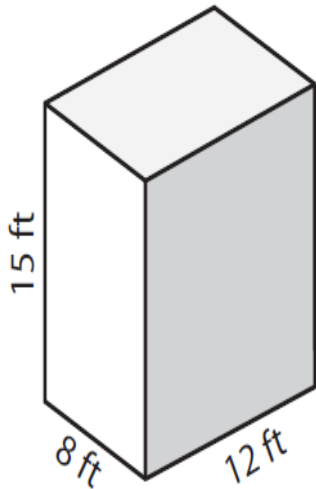


Surface Area = _____ cm^2

Top: _____
Bottom: _____
Front: _____
Back: _____
Left: _____
Right: _____

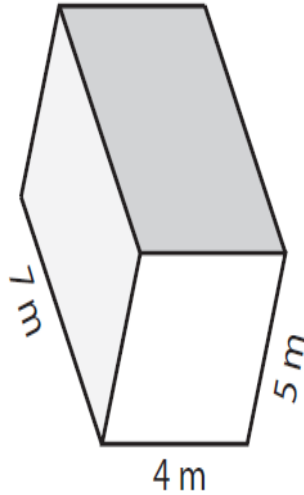
2/9/17 Surface Area

4)



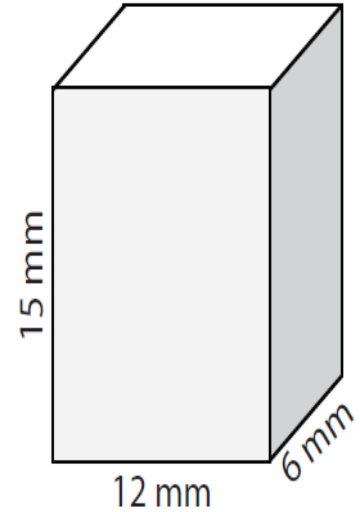
Surface Area = _____ cm^2

5)



Surface Area = _____ cm^2

6)



Surface Area = _____ cm^2

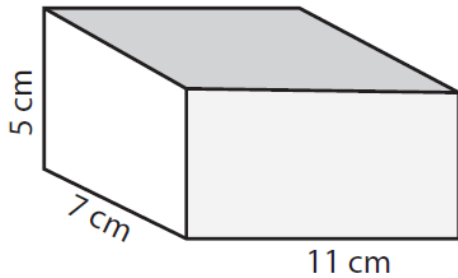
Top: _____
Bottom: _____
Front: _____
Back: _____
Left: _____
Right: _____

Top: _____
Bottom: _____
Front: _____
Back: _____
Left: _____
Right: _____

Top: _____
Bottom: _____
Front: _____
Back: _____
Left: _____
Right: _____

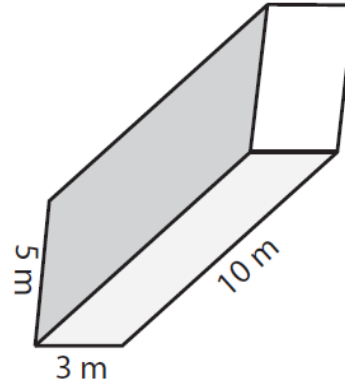
2/9/17 Surface Area

7)



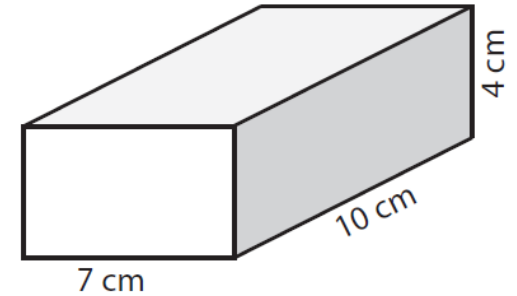
Surface Area = _____ cm^2

8)



Surface Area = _____ cm^2

9)



Surface Area = _____ cm^2

Top: _____
Bottom: _____
Front: _____
Back: _____
Left: _____
Right: _____

Top: _____
Bottom: _____
Front: _____
Back: _____
Left: _____
Right: _____

Top: _____
Bottom: _____
Front: _____
Back: _____
Left: _____
Right: _____

10) A box in the shape of rectangular prism has a dimension of 30 meters x 27 meters x 28 meters. What is the surface area of the box?

Surface Area = _____